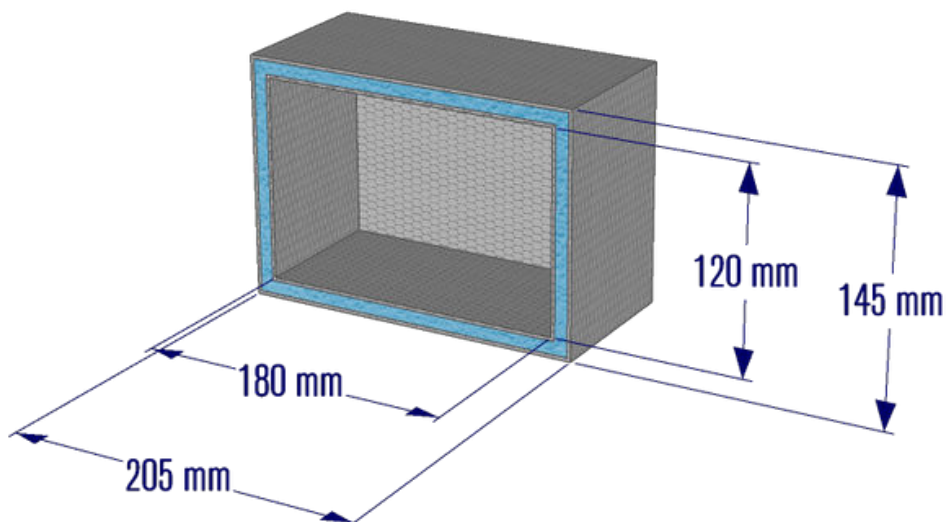


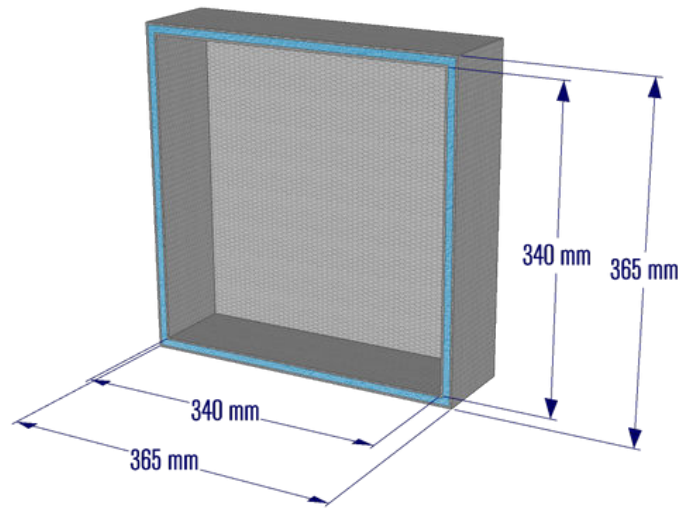
Technical Specifications - SHOWER NICHE



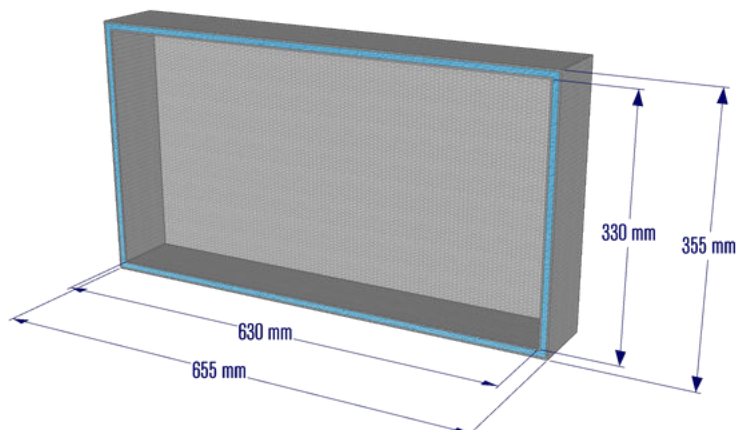
Product:	Shower Niche
Brand:	Xlife
SKU:	XNICHE-120X180
Length:	180mm
Width:	120mm
External Dimensions:	145x205mm
Material:	XPS + Fiberglass Mesh + Cement Mortar



Product: Shower Niche
Brand: Xlife
SKU: XNICHE-340x340
Length: 340mm
Width: 340mm
External Dimensions: 365x365mm
Material: XPS + Fiberglass Mesh + Cement Mortar



Product: Shower Niche
Brand: Xlife
SKU: XNICHE-330x630
Length: 630mm
Width: 330mm
External Dimensions: 355x655mm
Material: XPS + Fiberglass Mesh + Cement Mortar



Technical Data:

Property	Ratings
Density	36kg/m ³
Thermal Conductivity	《0.035 w/ (m*k)
Compressive strength (10% deflection)	Minimum of 0.25 N/mm ²
Flextural strength	2.05N
Water absorbtion(2-day immersion)	《1%
Water absorbtion(Capillary)	Zero
Coefficient of liner expansion	
Water vapor diffusion resistivity (u)	110-225u
Water vapour permeability	0.028ng/pa.m.s
EU Controlled substances content	

Exploded Breakdown View:

