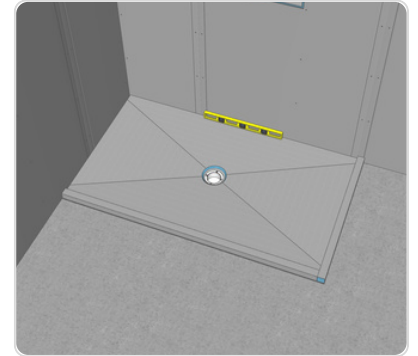


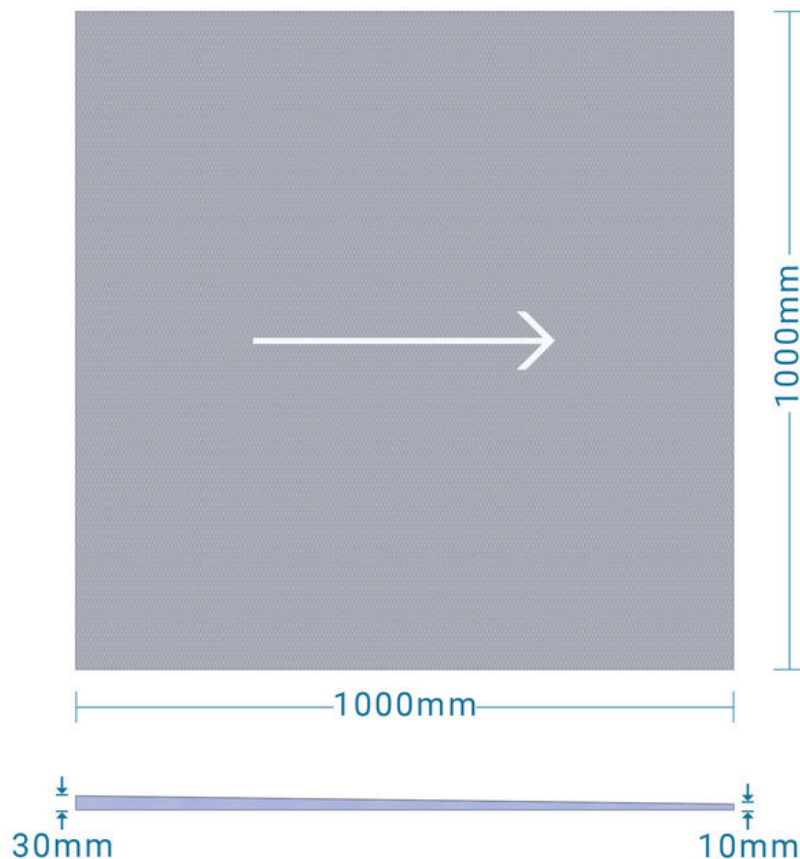


Technical Specifications - SHOWER BASE

Product:	Shower Base
Brand:	Xlife
SKU:	XTRAY-W1000X1000
Model:	Wedge
Length:	1000mm
Width:	1000mm
Thickness:	10mm - 30mm
Material:	XPS + Fiberglass Mesh + Cement Mortar

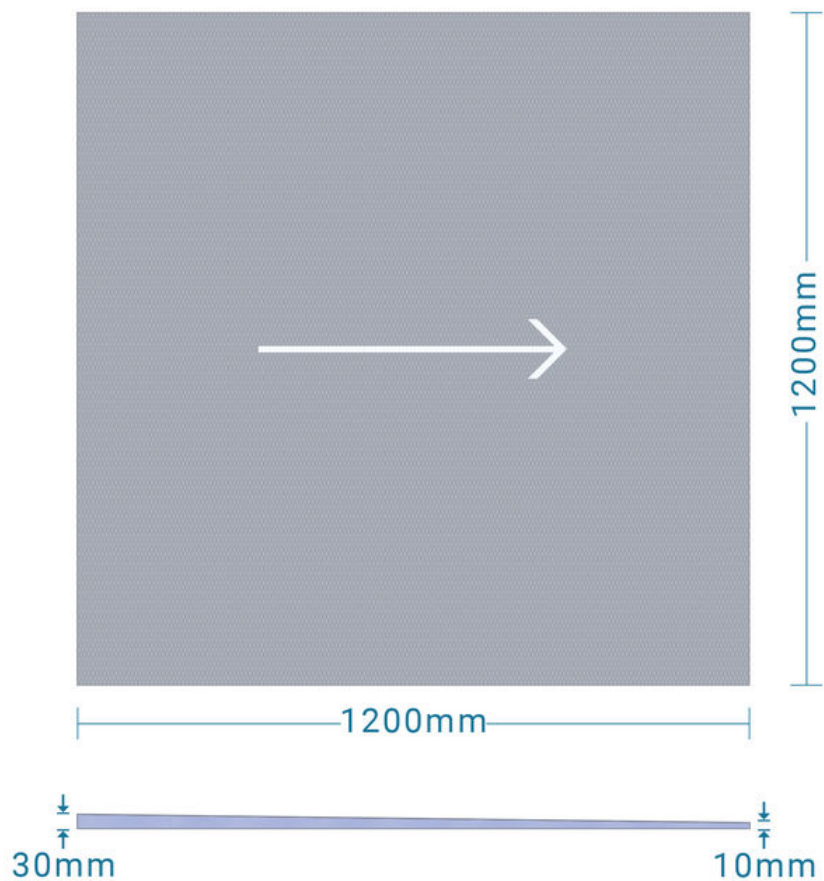


XTRAY-W1000X1000



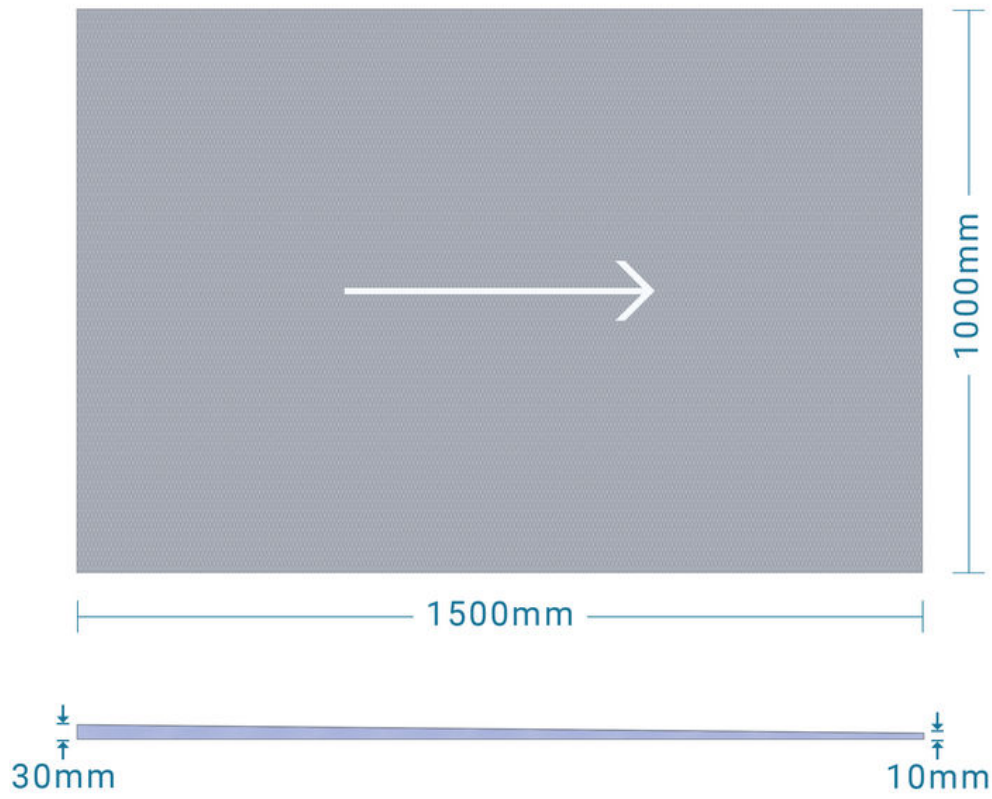
Product: Shower Base
Brand: Xlife
SKU: XTRAY-W1200X1200
Model: Wedge
Length: 1200mm
Width: 1200mm
Thickness: 10mm - 30mm
Material: XPS + Fiberglass Mesh + Cement Mortar

XTRAY-W1200X1200



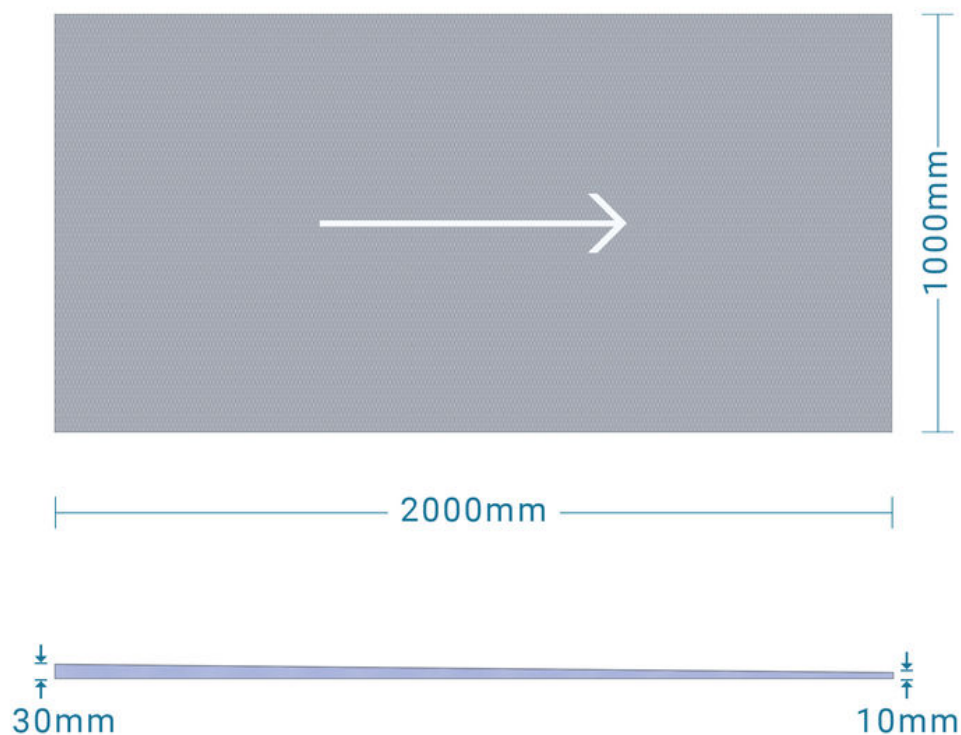
Product: Shower Base
Brand: Xlife
SKU: XTRAY-W1000X1500
Model: Wedge
Length: 1000mm
Width: 1500mm
Thickness: 10mm - 30mm
Material: XPS + Fiberglass Mesh + Cement Mortar

XTRAY-W1000X1500



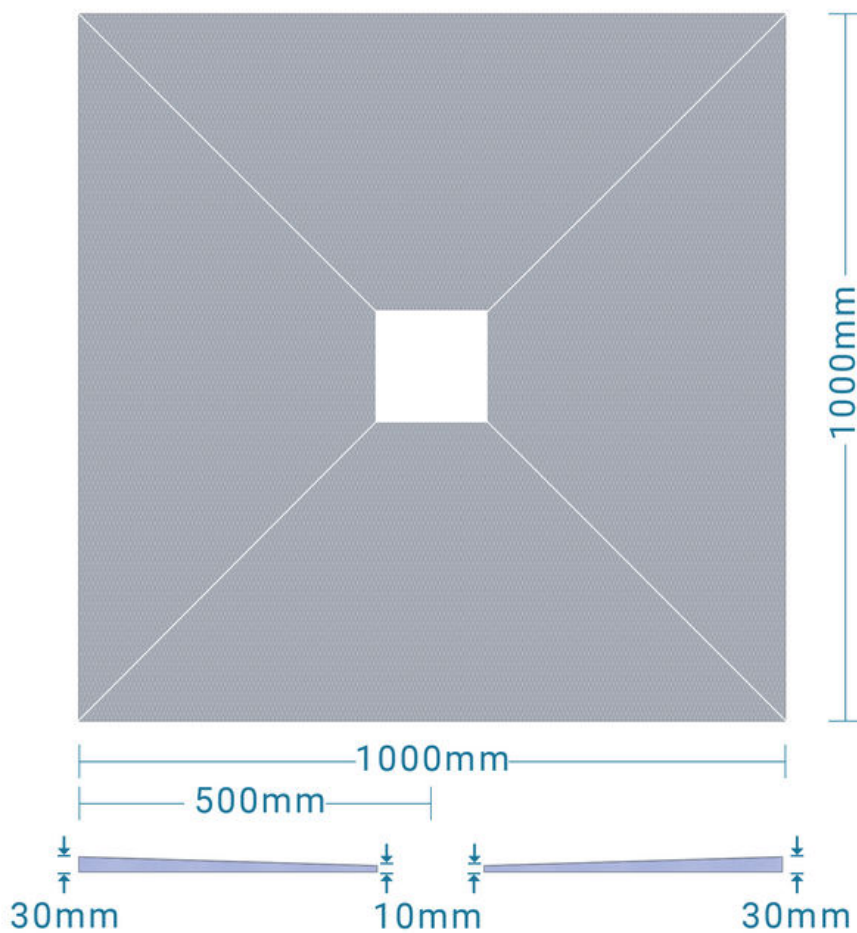
Product:	Shower Base
Brand:	Xlife
SKU:	XTRAY-W1000X2000
Model:	Wedge
Length:	1000mm
Width:	2000mm
Thickness:	10mm - 30mm
Material:	XPS + Fiberglass Mesh + Cement Mortar

XTRAY-W1000X2000



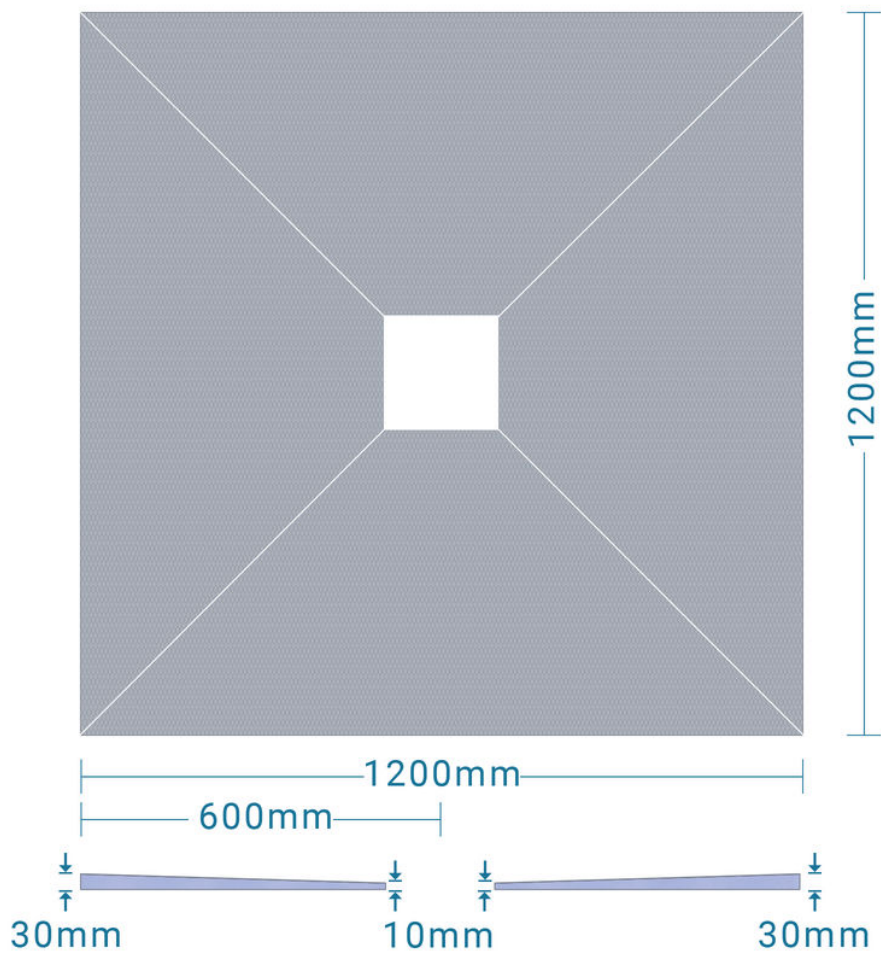
Product: Shower Base
Brand: Xlife
SKU: XTRAY-C1000X1000
Model: Centre Drain
Length: 1000mm
Width: 1000mm
Thickness: 10mm - 30mm
Material: XPS + Fiberglass Mesh + Cement Mortar

XTRAY-C1000X1000



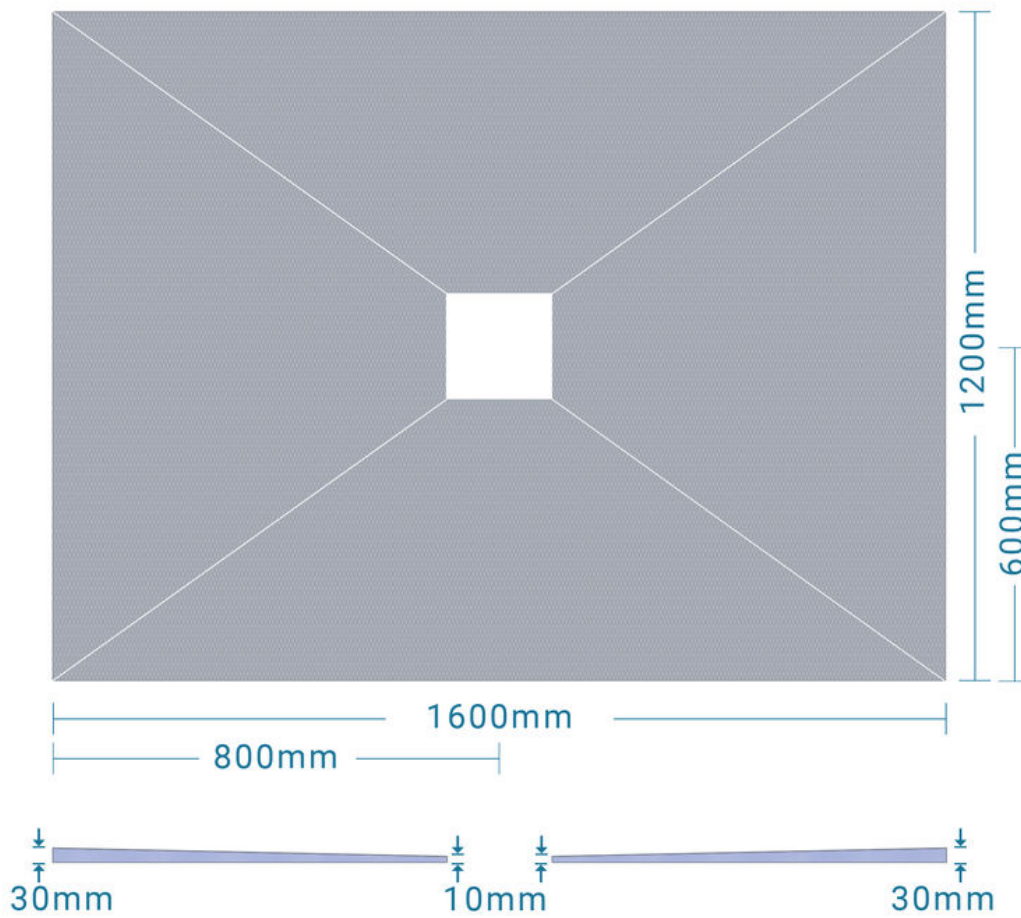
Product: Shower Base
Brand: Xlife
SKU: XTRAY-C1200X1200
Model: Centre Drain
Length: 1200mm
Width: 1200mm
Thickness: 10mm - 30mm
Material: XPS + Fiberglass Mesh + Cement Mortar

XTRAY-C1200X1200



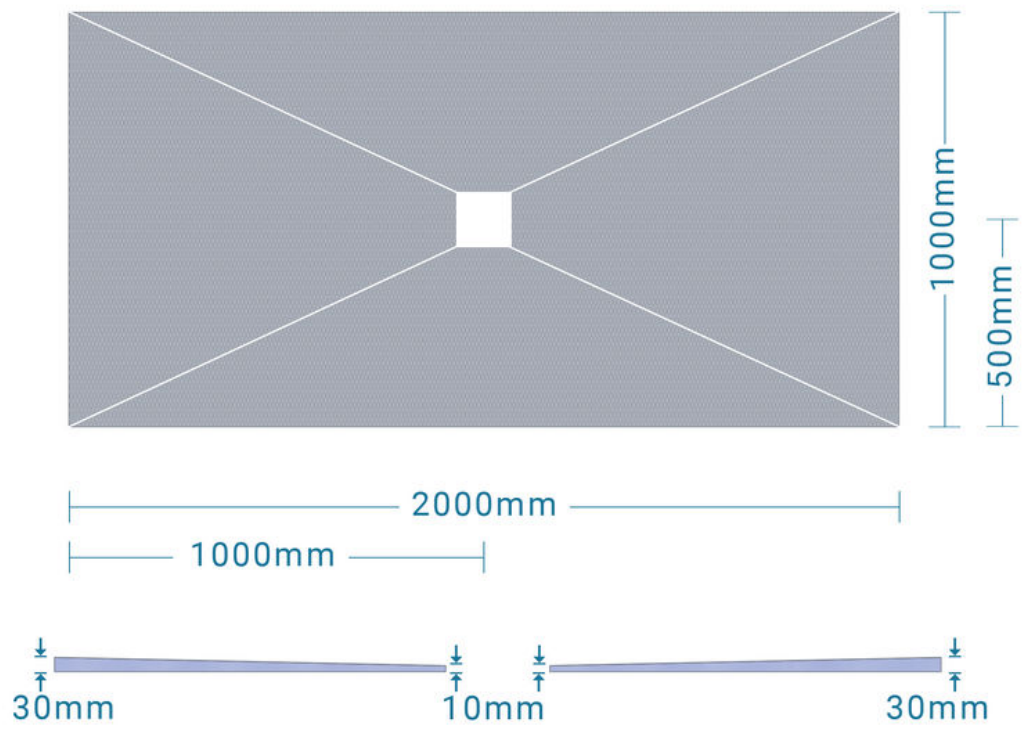
Product: Shower Base
Brand: Xlife
SKU: XTRAY-C1200X1600
Model: Centre Drain
Length: 1200mm
Width: 1600mm
Thickness: 10mm - 30mm
Material: XPS + Fiberglass Mesh + Cement Mortar

XTRAY-C1200X1600



Product: Shower Base
Brand: Xlife
SKU: XTRAY-C1000X2000
Model: Centre Drain
Length: 1000mm
Width: 2000mm
Thickness: 10mm - 30mm
Material: XPS + Fiberglass Mesh + Cement Mortar

XTRAY-C1000X2000



Technical Data:

Property	Ratings
Density	36kg/m ³
Thermal Conductivity	《0.035 w/ (m*k)
Compressive strength (10% deflection)	Minimum of 0.25 N/mm ²
Flexural strength	2.05N
Water absorbtion(2-day immersion)	《1%
Water absorbtion(Capillary)	Zero
Coefficient of liner expansion	
Water vapor diffusion resistivity (u)	110-225u
Water vapour permeability	0.028ng/pa.m.s
EU Controlled substances content	

Exploded Breakdown View:

